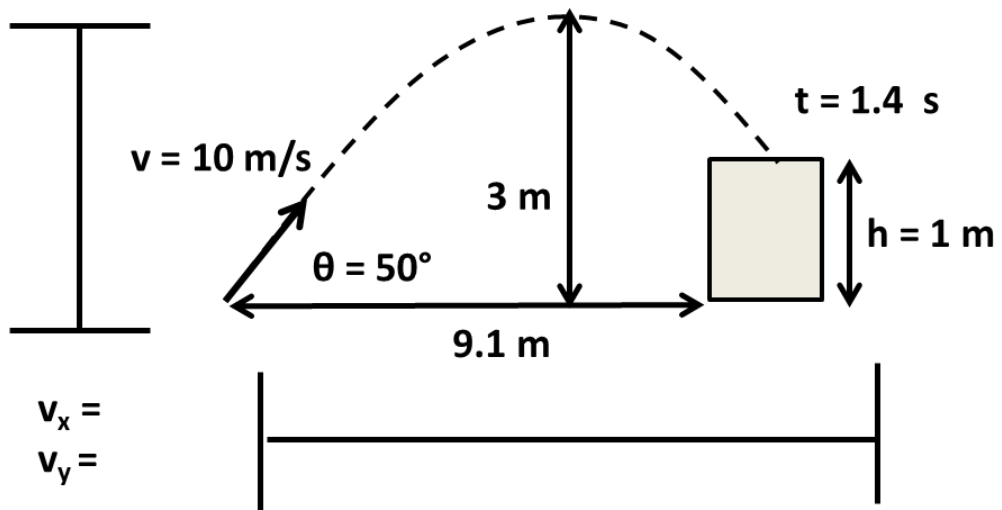
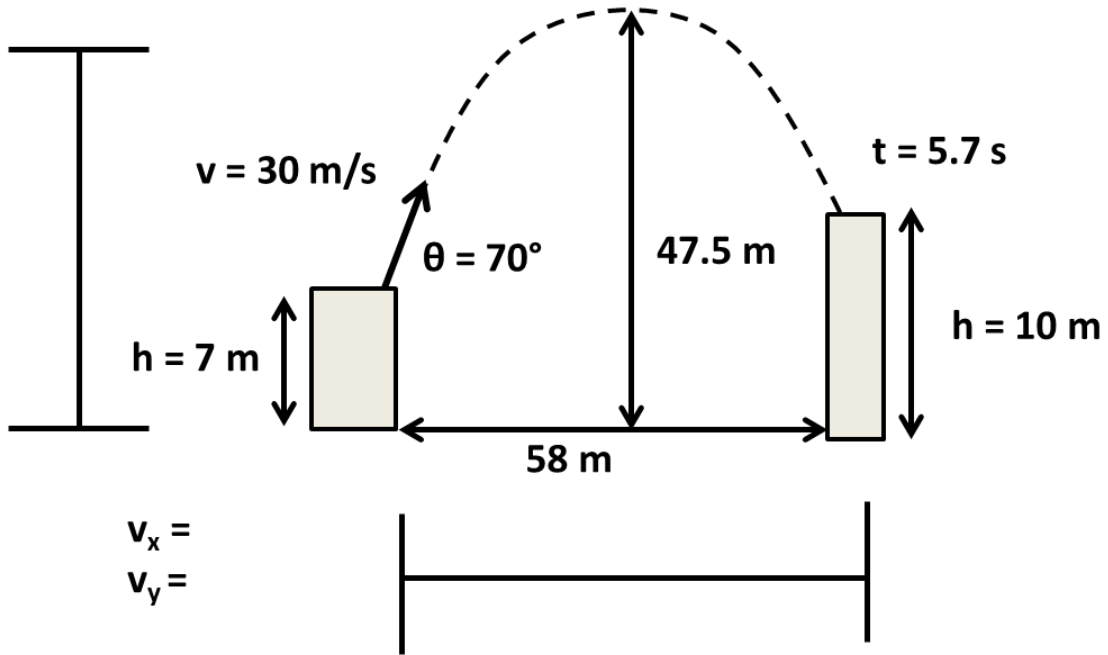
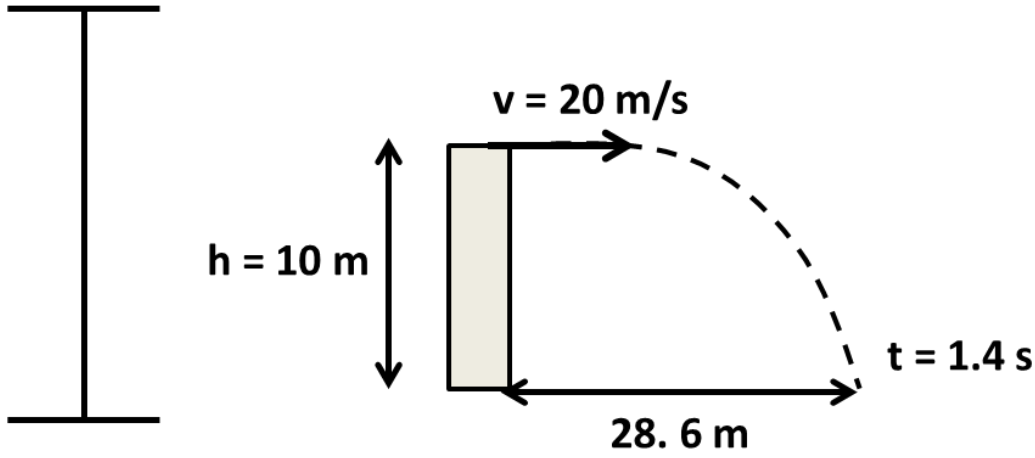


Worksheet 2.1

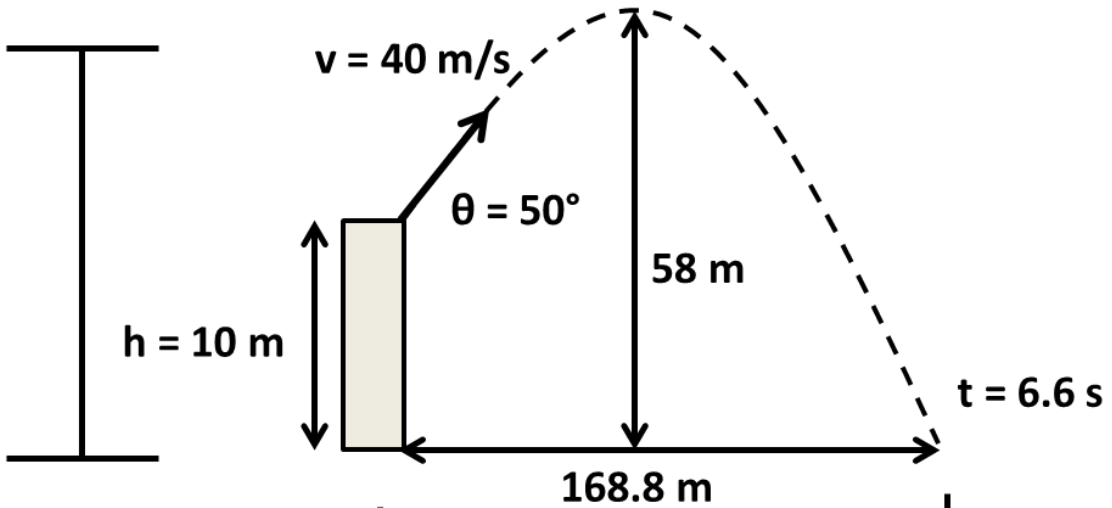
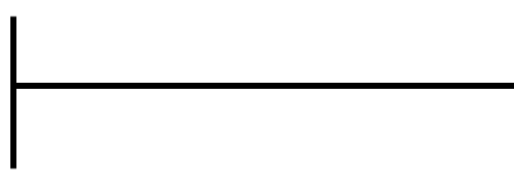
For each diagram below, calculate the v_x and v_y and draw the motion diagrams in the y and x-directions.





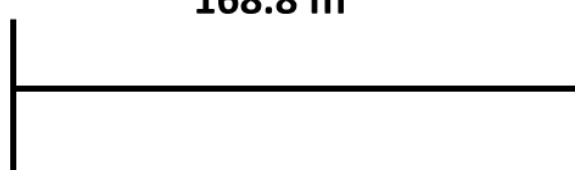
$v_x =$

$v_y =$



$v_x =$

$v_y =$



For the two sets of motion diagrams below, draw and label the matching projectile diagram (like those above).

